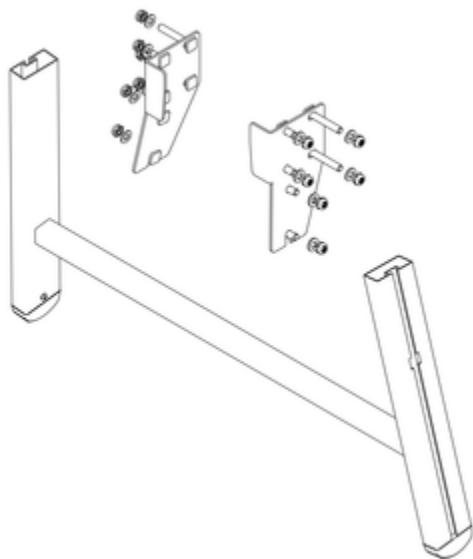


Order no.: 800023

## Spare parts for platform ladders and platform stairs

Suitable for platform stairs with number of steps

**2** 3 4 5 6 7 8



### Specification

Weight <b>2 kg</b>	Transport dimensions <b>800 x 600 x 150 mm, 2 kg</b>	Business division <b>MUNK Günzburger Steigtechnik</b>	Order no. <b>800023</b>	Price <b>€ 118.00</b>
-----------------------	---	--	----------------------------	--------------------------

### Facts

■

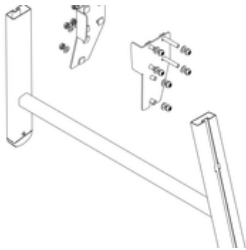
### Information on sustainability criteria

- Corporate certification: ISO 9001
- Corporate certification: EN 1090
- Corporate certification: EcoVadis
- RoHS
- REACH
- The MUNK Group complies with a Code of Conduct
- The Supply Chain Act does not apply due to our size
- The materials used are listed in the technical specification
- Resource-saving production: own photovoltaic systems

- Energy-efficient consumption during production: LED lighting
- Repairability, durability and quality: 15-year warranty on series products made in Germany
- Recyclability: Our products are mostly made of aluminium, steel or wood and can be fed directly into the recycling process.
- Socially acceptable working conditions in production: fair wages, gender equality
- Economical and recyclable packaging: no use of polystyrene, predominantly use of wood and cardboard, small amounts of plastic
- No health hazards for the users

## More product pictures

---



## Corporate certifications

---

on sustainability criteria



Management System  
ISO 9001:2015  
ISO 14001:2015  
[www.tuv.com](http://www.tuv.com)  
ID 9108612548

