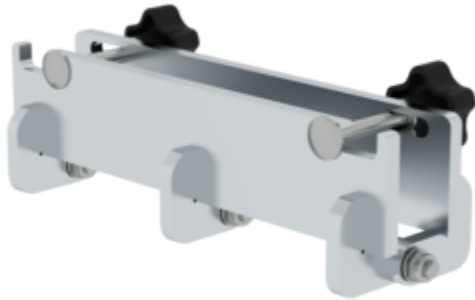


Order no.: 070369

Assembly aid, rung protection



Specification

Material Aluminium	Weight 0.92 kg	Transport dimensions 260 x 100 x 85 mm, 0.92 kg	Business division MUNK Rettungstechnik	Order no. 070369
------------------------------	--------------------------	---	--	----------------------------

Facts

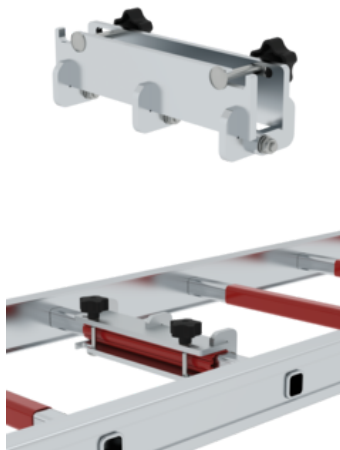
- Assembly aid for rung protection
- For the professional installation of the Rungfix retrofit kit
- Suitable for all ladders compliant with DIN EN 1147 with rung protection
- Clearly illustrated assembly instructions are included
- Supplied without Rungfix

Information on sustainability criteria

- Corporate certification: ISO 9001
- Corporate certification: EN 1090
- Corporate certification: EcoVadis

- RoHS
- REACH
- The MUNK Group complies with a Code of Conduct
- The Supply Chain Act does not apply due to our size
- The materials used are listed in the technical specification
- Resource-saving production: own photovoltaic systems
- Energy-efficient consumption during production: LED lighting
- Repairability, durability and quality: 15-year warranty on series products made in Germany
- Recyclability: Our products are mostly made of aluminium, steel or wood and can be fed directly into the recycling process.
- Socially acceptable working conditions in production: fair wages, gender equality
- Economical and recyclable packaging: no use of polystyrene, predominantly use of wood and cardboard, small amounts of plastic
- No health hazards for the users

More product pictures



Corporate certifications

on sustainability criteria



Management System
ISO 9001:2015
ISO 14001:2015
www.tuv.com
ID 9108612548

